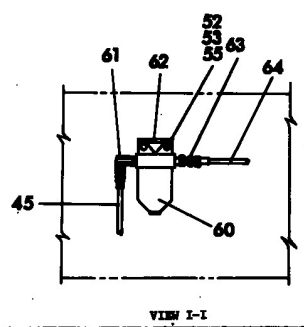
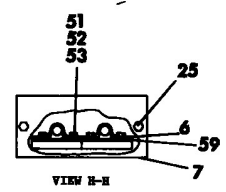
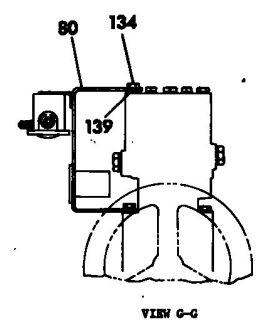
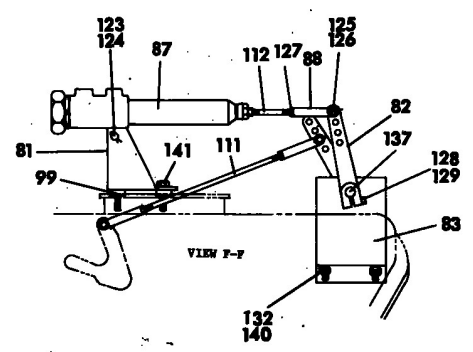
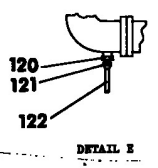
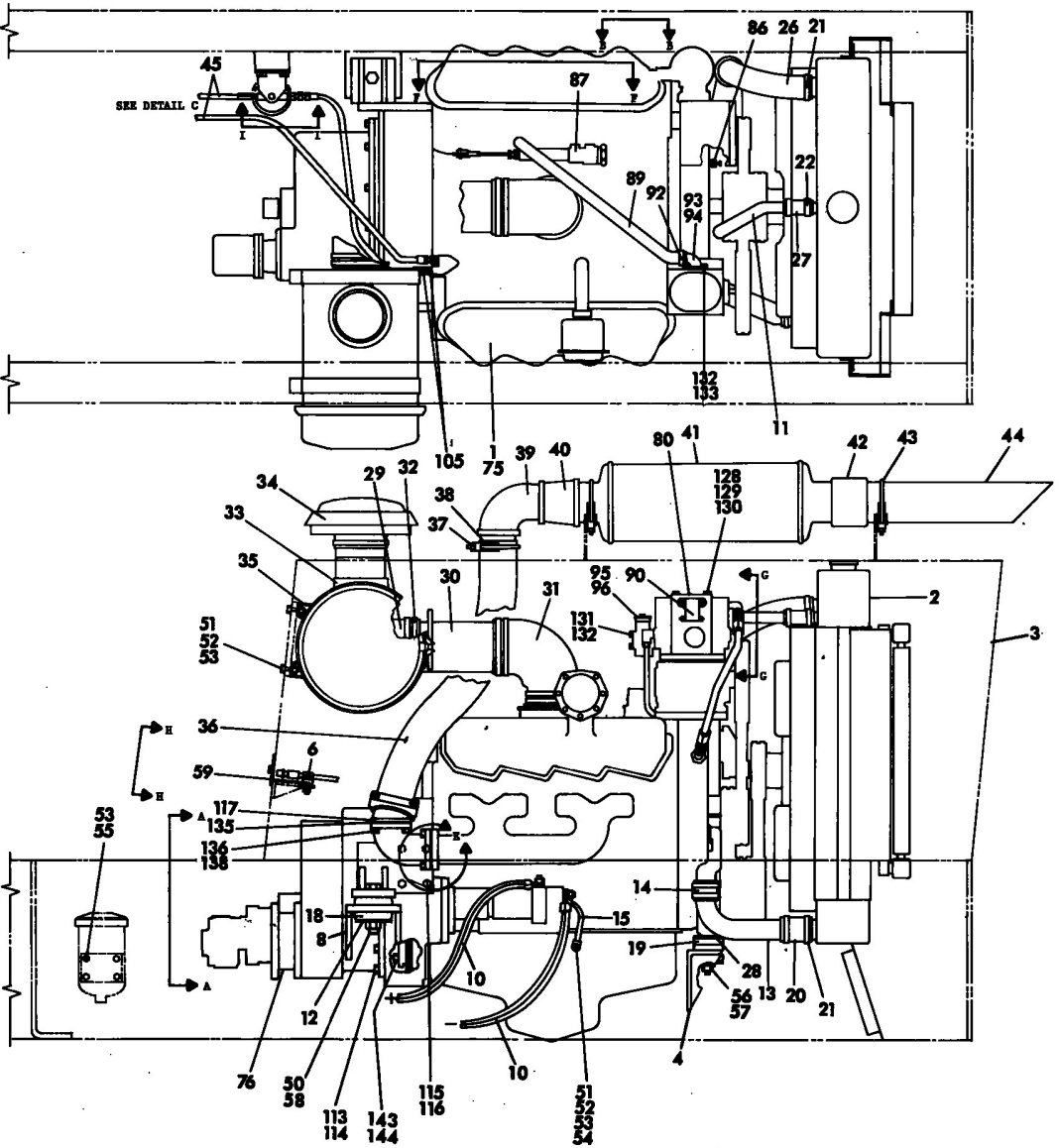


ITEMS NOT SHOWN:
5 WIRING DIAGRAM



Manitowoc Crane Group



6414000145

(SHEET 1 OF 2)

36XXe 198